

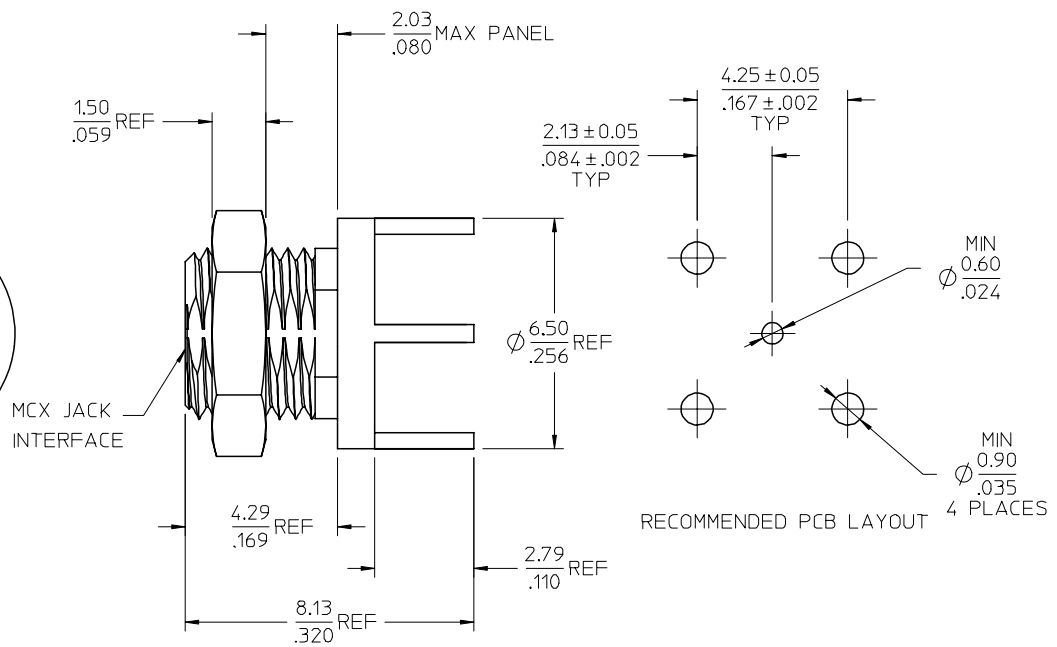
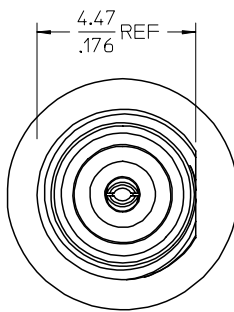
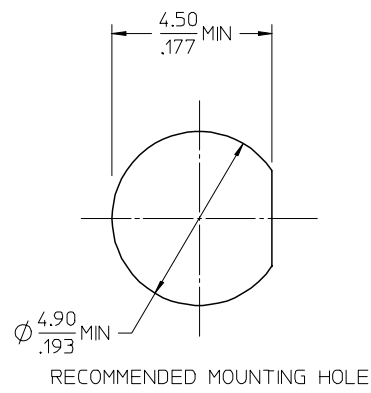
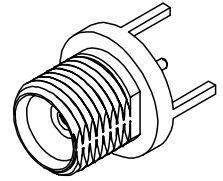
MATERIALS AND FINISHES

BODY: BRASS
PLATED SEE TABLE

CENTER CONTACT: BERYLLIUM COPPER
PLATED GOLD

INSULATOR: TEFLON

NUT: BRASS
PLATED SEE TABLE



73415-1042	P/N 73415-1040, ONE PER BAG
73415-1041	BODY/NUT NICKEL PLATED, BULK
73415-1040	BODY/NUT GOLD PLATED, BULK
PS-73598-0132	ELECTRO/MECH SPEC.
ES-73599-0180	INTERFACE
SPECIFICATION	DESCRIPTION
PART NO.	PLATING AND PACKAGING

CHG: ADDED P/N 73415-1042	EC NO: URF 2007-0264 DRAWN: FLAHERTY 2007/01/09 CHKD: SHAH 2007/01/09 APPR: JIMENER 2007/01/09	QUALITY SYMBOLS =0 ▽=0	GENERAL TOLERANCES (UNLESS SPECIFIED)		DIMENSION STYLE MM/IN		SCALE	DESIGN UNITS METRIC	THIRD ANGLE PROJECTION
			mm	INCH	DRAWN BY TEF	DATE 1999/02/17	TITLE MCX JACK VERT BKHD PCB 50 OHM MCX-J/PCB		
DRAWING INFORMATION			4 PLACES ± --- ± ---		CHECKED BY DHG		DATE 1999/02/17		MOLEX INCORPORATED
DESCRIPTION			3 PLACES ± --- ± ---		APPROVED BY GMH		DATE 1999/02/17		
MATERIAL NO.			2 PLACES ± --- ± ---		MATERIAL NO.		DOCUMENT NO.		SHEET NO. 1 OF 1
SIZE C			1 PLACE ± --- ± ---		SEE TABLE		SD-73415-104		
DRAFT WHERE APPLICABLE MUST REMAIN WITHIN DIMENSIONS			ANGULAR ± 2 °		THIS DRAWING CONTAINS INFORMATION THAT IS PROPRIETARY TO MOLEX INCORPORATED AND SHOULD NOT BE USED WITHOUT WRITTEN PERMISSION				